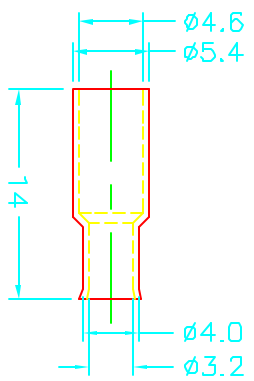
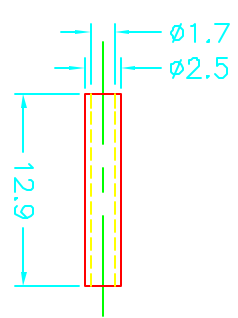
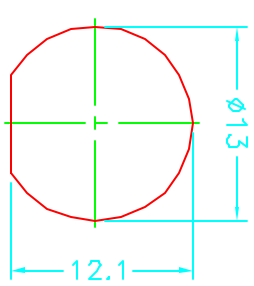
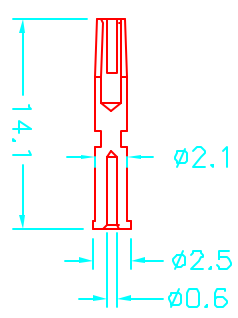
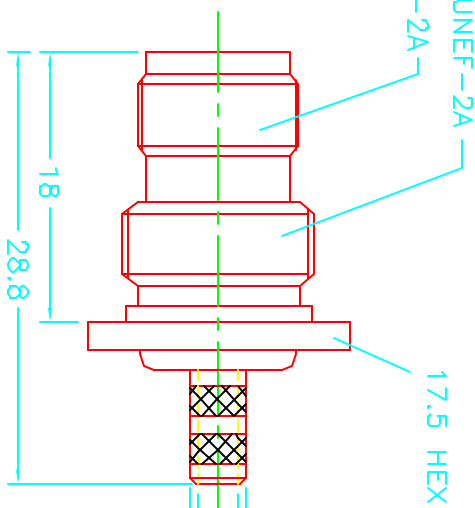
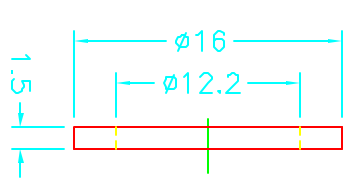
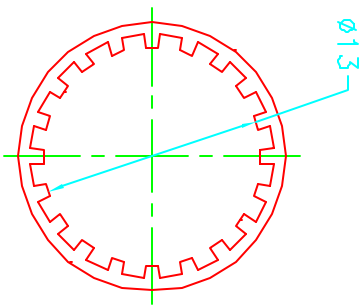
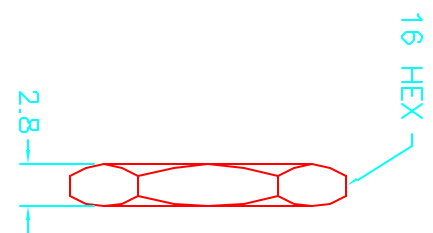
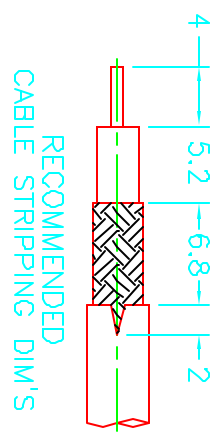


REV.	DATE	DESCRIPTION
NC	8/20/97	INITIAL RELEASE



RECOMMENDED MOUNTING HOLE

DESCRIPTION	MATERIAL	FINISH	DIMENSIONS ARE IN MILLIMETERS UNLESS OTHERWISE SPECIFIED TOLERANCES ARE:		APPROVALS	DATE	TITLE		
1 BODY	BRASS	NICKEL	0.5-6 = ± 0.2	DRAWN	G.R.S.	8/20/97	SIZE	FSQM NO.	REV.
2 INSULATOR	DELTRIN	NATURAL	6-30 = ± 0.4	CHECKED			A	99001	NC
3 CONTACT PIN	PHOS BRONZE	GOLD	30-120 = ± 0.6	ISSUED					
4 FERRULE	BRASS	NICKEL	120-315 = ± 1						
5			315-1000 = ± 1.6						
6			1000-2000 = ± 2.4						
7									
8									



TNC BULKHEAD CRIMP JACK
RG 174, 316 DOUBLE BRAID

SCALE 2:1 PART NO. 1221358 SHEET 1 OF 1